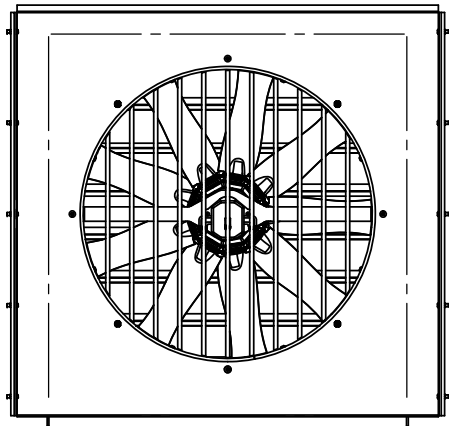


↑
FORWARD



ITEM NO.	PART NUMBER	QTY.
1	PERFORATED LOUVRES	1
2	BAFFLE RISER	1
3	DUCTING	1
4	FRAME	1
5	CROP SHIELD	1
6	INLET GRATE	1
7	CROP SHIELD BELT	2

DO NOT SCALE DRAWING
ALL DIMENSIONS
ARE IN INCHES

TOLERANCES
UNLESS OTHERWISE SPECIFIED

ONE DEC. PLACE: +/- 0.1
TWO DEC. PLACE: +/- 0.03
THREE DEC PLACE: +/- .005
ANG: +/- 0.5 DEG

CALIFORNIA
STRAWBERRY
COMMISSION

805.235.7784
1B TECHNOLOGY PARK
1 GRAND AVE
SAN LUIS OBISPO, CA 93405

TITLE

SINGLE BARREL BUG VACUUM 2020

SIZE DRAWING NO

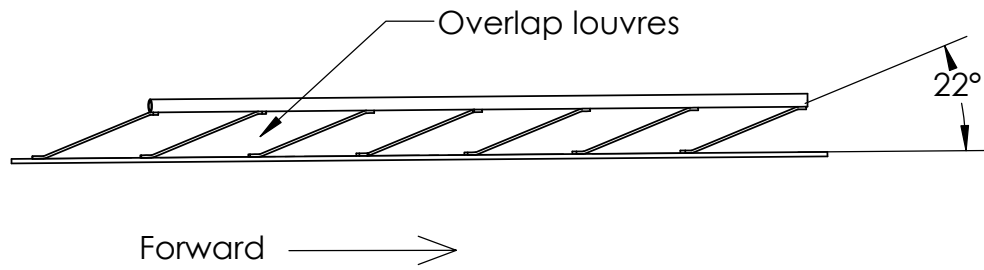
REVISION

A

SCALE 1:32

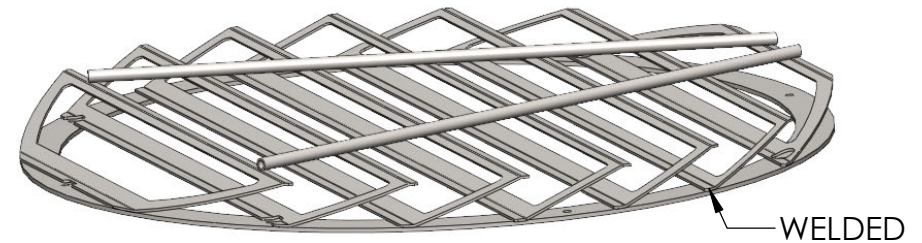
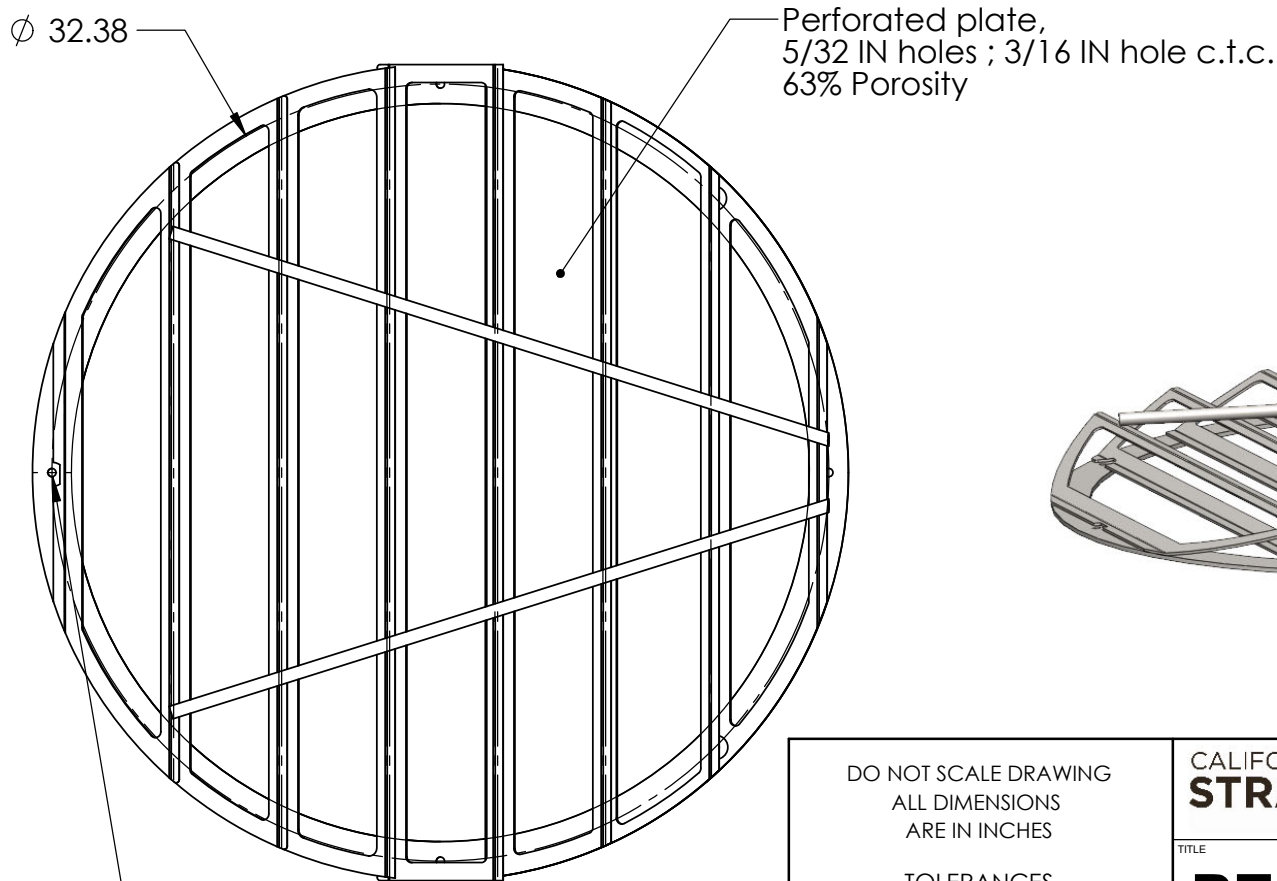
Drawn by: JACK WELLS

SHEET 1 OF 8



Notes

- MATERIAL: 304 SS
- LOUVRE FRAMES 14 GA SHEET
- FLANGE 3/16 IN PLATE
- LOUVRE 63% POROSITY 16 GA PERF. PLATE
- SEE ATTACHED DXFS FOR FLAT PATTERNED CUT-OUTS
- PERF. PLATE WELDED TO FRAMES



8X Ø .34 THRU TYP EQ SP

DO NOT SCALE DRAWING
ALL DIMENSIONS
ARE IN INCHES

TOLERANCES
UNLESS OTHERWISE SPECIFIED

ONE DEC. PLACE: +/- 0.1
TWO DEC. PLACE: +/- 0.03
THREE DEC PLACE: +/- .005
ANG: +/- 0.5 DEG

CALIFORNIA
STRAWBERRY
COMMISSION

805.235.7784
1B TECHNOLOGY PARK
1 GRAND AVE
SAN LUIS OBISPO, CA 93405

TITLE

PERFORATED LOUVRES

SIZE DRAWING NO

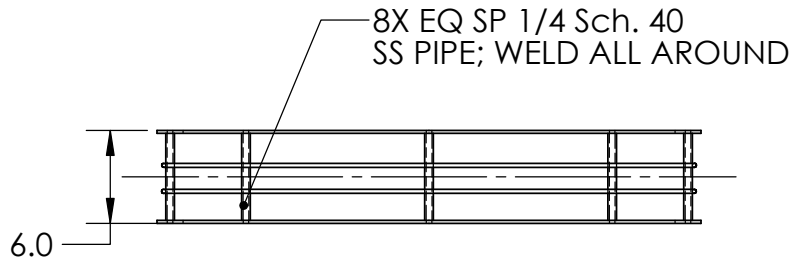
A

REVISION

SCALE 1:8

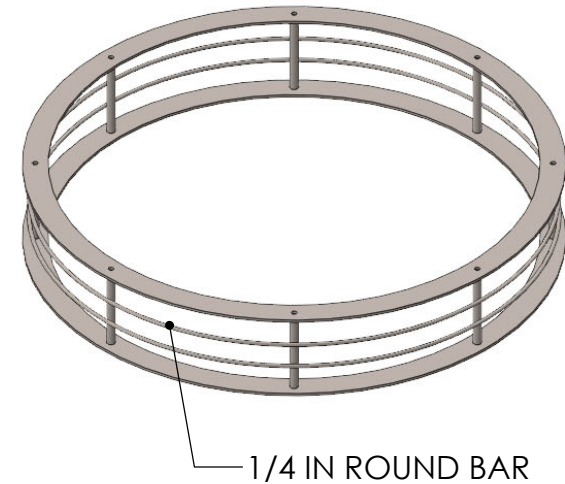
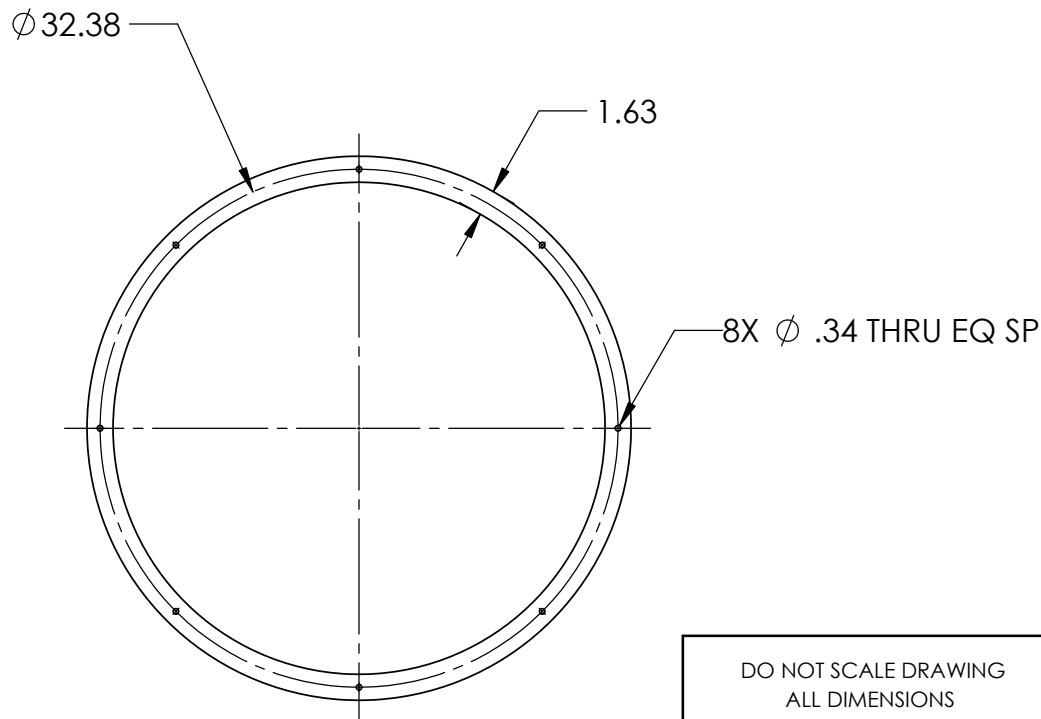
Drawn by: JACK WELLS

SHEET 2 OF 8



Notes

MATERIAL: 304 SS
 3/16 IN PLATE
 1/4 IN ROUND BAR
 SCH. 40 1/4 IN PIPE
 SEE ATTACHED DXF FOR
 CUT-OUTS



DO NOT SCALE DRAWING
 ALL DIMENSIONS
 ARE IN INCHES

TOLERANCES
 UNLESS OTHERWISE SPECIFIED

ONE DEC. PLACE: +/- 0.1
 TWO DEC. PLACE: +/- 0.03
 THREE DEC PLACE: +/- .005
 ANG: +/- 0.5 DEG

CALIFORNIA
STRAWBERRY
 COMMISSION

805.235.7784
 1B TECHNOLOGY PARK
 1 GRAND AVE
 SAN LUIS OBISPO, CA 93405

TITLE

BAFFLE RISER

SIZE DRAWING NO

A

REVISION

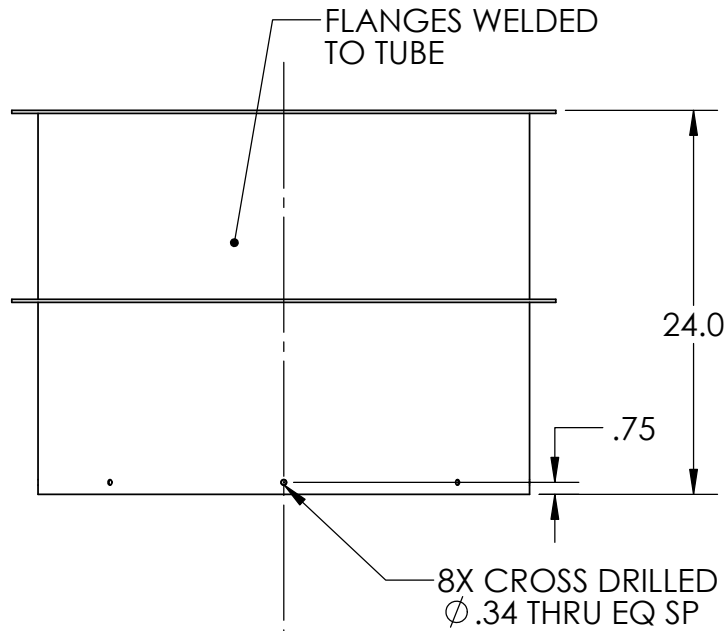
SCALE 1:12

Drawn by: JACK WELLS

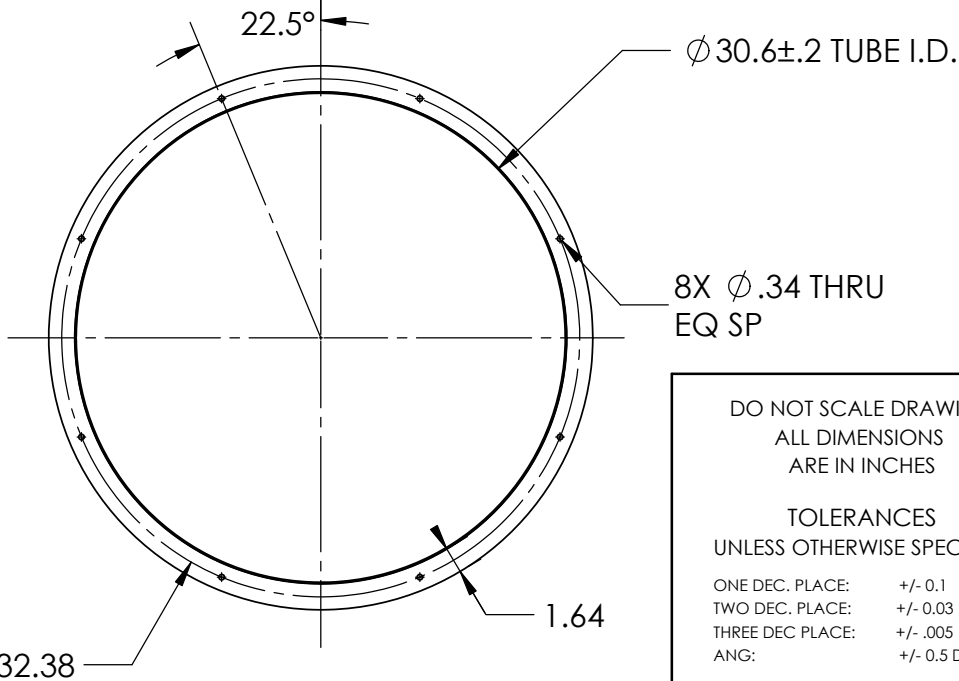
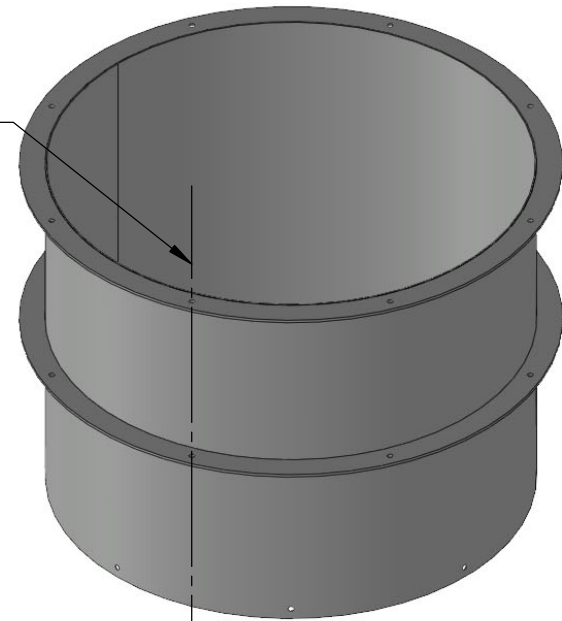
SHEET 3 OF 8

NOTES:

- MATERIAL: 5052 ALUMINUM
- Tube: 14 GA
- FLANGES: 3/16 IN
- SEE ATTACHED DXFS FOR FLANGE CUT-OUTS



FLANGE HOLES
ALIGNED



DO NOT SCALE DRAWING
ALL DIMENSIONS
ARE IN INCHES

TOLERANCES
UNLESS OTHERWISE SPECIFIED

ONE DEC. PLACE: +/- 0.1
TWO DEC. PLACE: +/- 0.03
THREE DEC PLACE: +/- .005
ANG: +/- 0.5 DEG

CALIFORNIA
STRAWBERRY
COMMISSION

805.235.7784
1B TECHNOLOGY PARK
1 GRAND AVE
SAN LUIS OBISPO, CA 93405

TITLE

DUCTING

SIZE

DRAWING NO

REVISION

A

SCALE

1:16

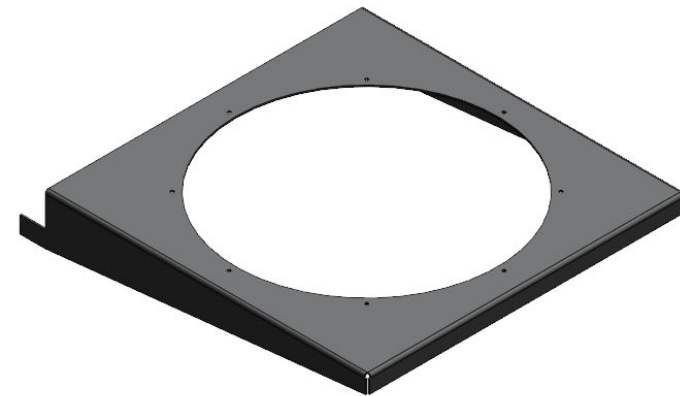
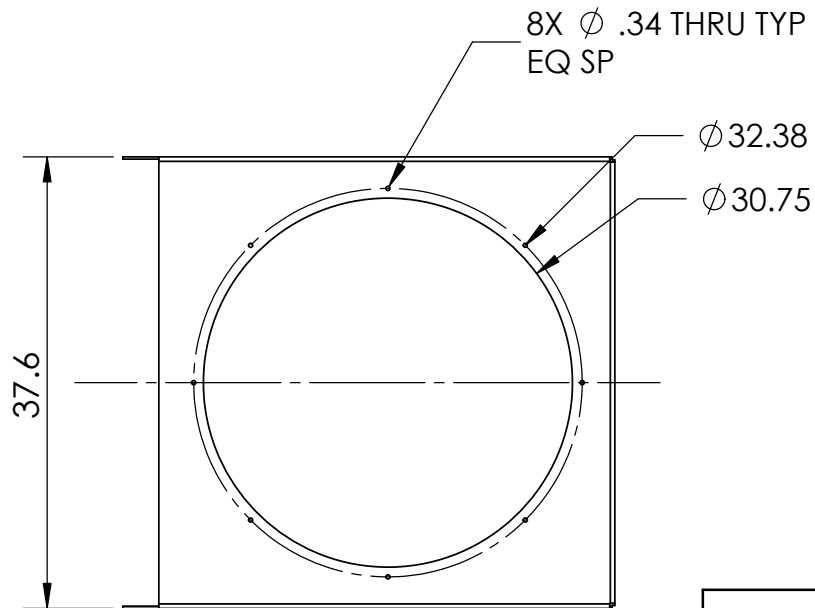
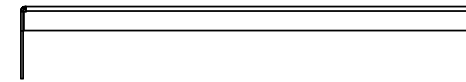
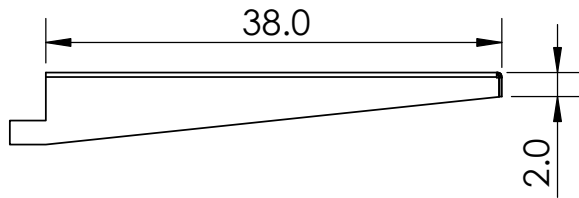
Drawn by:

JACK WELLS

SHEET 4 OF 8

NOTES

-MATERIAL: 3/16 IN MILD STEEL
 -SEE ATTACHED DXF FOR FLAT
 PATTERNED CUT-OUT



DO NOT SCALE DRAWING
 ALL DIMENSIONS
 ARE IN INCHES

TOLERANCES
 UNLESS OTHERWISE SPECIFIED

ONE DEC. PLACE: +/- 0.1
 TWO DEC. PLACE: +/- 0.03
 THREE DEC PLACE: +/- .005
 ANG: +/- 0.5 DEG

CALIFORNIA
STRAWBERRY
 COMMISSION

805.235.7784
 1B TECHNOLOGY PARK
 1 GRAND AVE
 SAN LUIS OBISPO, CA 93405

TITLE

FRAME

SIZE

A

DRAWING NO

REVISION

SCALE

1:16

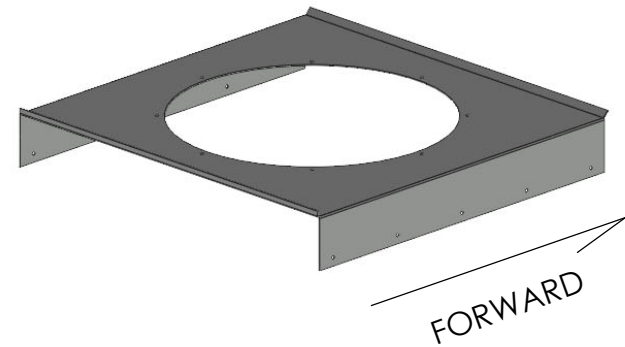
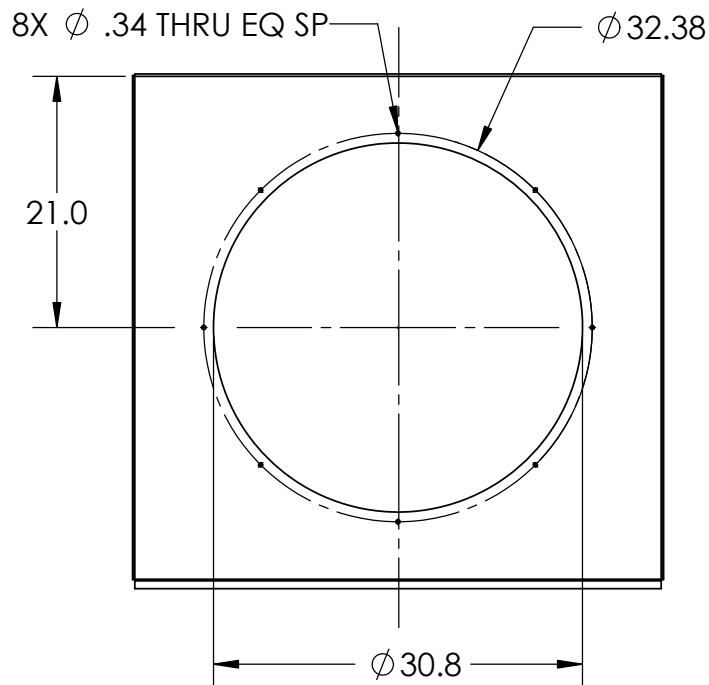
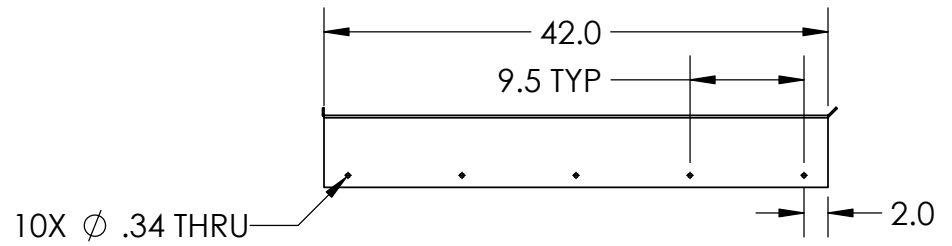
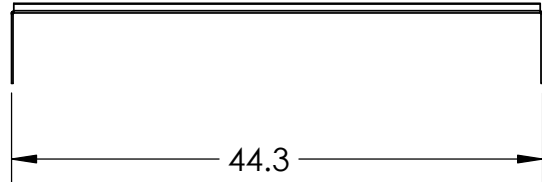
Drawn by:

JACK WELLS

SHEET 5 OF 8

NOTES

-MATERIAL: 1/8 IN 5052 ALUMINUM
 -SEE ATTACHED DXF FOR
 FLAT-PATTERNED CUTOUT



DO NOT SCALE DRAWING
 ALL DIMENSIONS
 ARE IN INCHES

TOLERANCES
 UNLESS OTHERWISE SPECIFIED

ONE DEC. PLACE: +/- 0.1
 TWO DEC. PLACE: +/- 0.03
 THREE DEC PLACE: +/- .005
 ANG: +/- 0.5 DEG

CALIFORNIA
STRAWBERRY
 COMMISSION

805.235.7784
 1B TECHNOLOGY PARK
 1 GRAND AVE
 SAN LUIS OBISPO, CA 93405

TITLE

CROP SHIELD

SIZE DRAWING NO

A

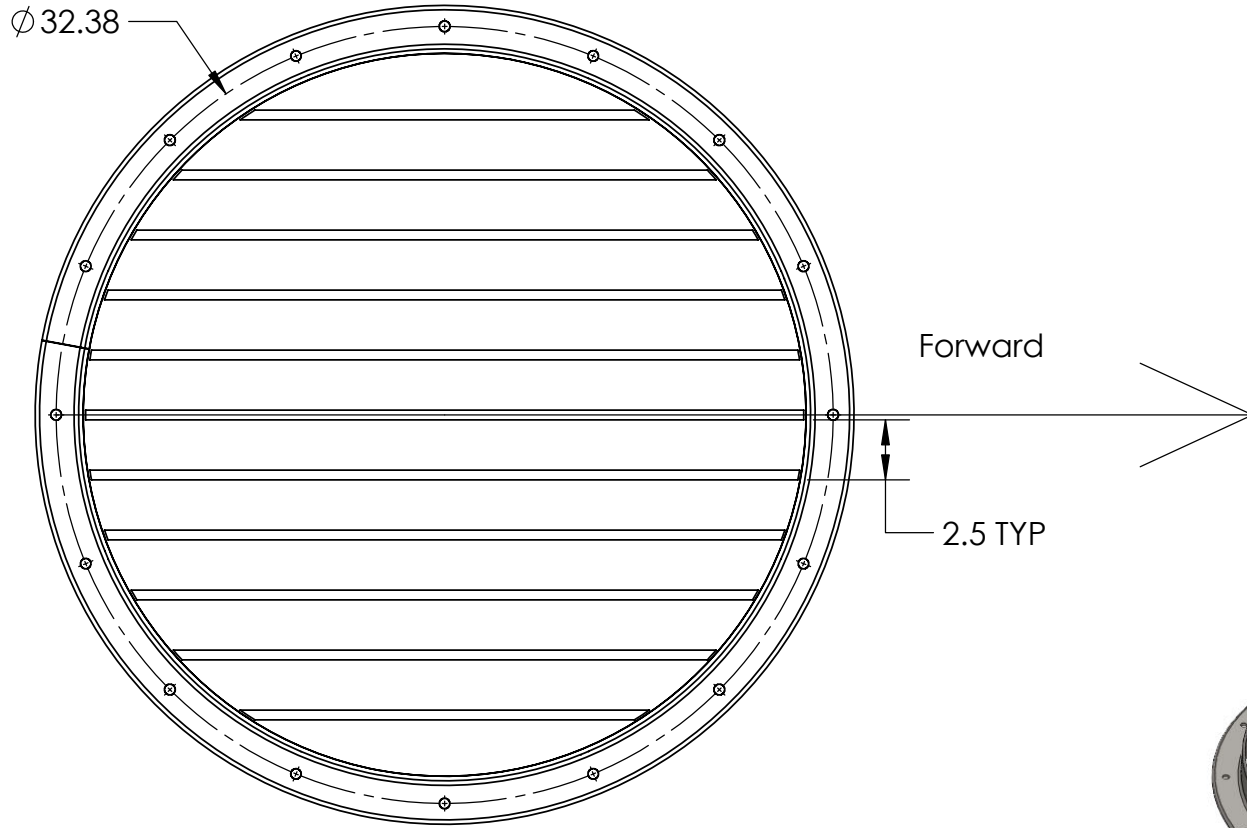
REVISION

SCALE 1:16

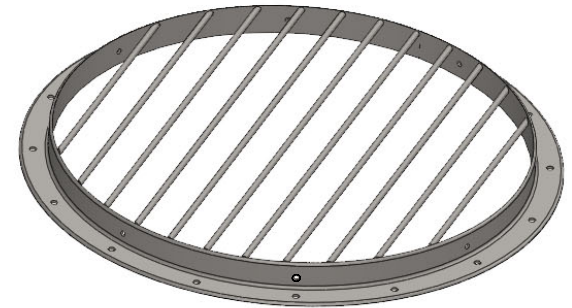
Drawn by: JACK WELLS

SHEET 6 OF 8

MATERIAL: 304 SS
 DUCT FLANGE TRADE SIZE 30
 SCH. 40 1/4 IN PIPE



8X .34 THRU EQ SP
 CROSS DRILLED



DO NOT SCALE DRAWING
 ALL DIMENSIONS
 ARE IN INCHES

TOLERANCES
 UNLESS OTHERWISE SPECIFIED

ONE DEC. PLACE: +/- 0.1
 TWO DEC. PLACE: +/- 0.03
 THREE DEC PLACE: +/- .005
 ANG: +/- 0.5 DEG

CALIFORNIA
STRAWBERRY
 COMMISSION

805.235.7784
 1B TECHNOLOGY PARK
 1 GRAND AVE
 SAN LUIS OBISPO, CA 93405

TITLE

INLET GRATE

SIZE

A

DRAWING NO

REVISION

SCALE

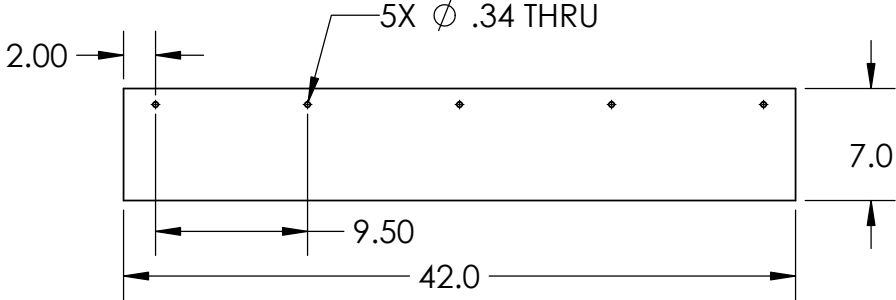
1:8

Drawn by:

JACK WELLS

SHEET 7 OF 8

MATERIAL: 1/4 IN RUBBER OR SIMILAR



DO NOT SCALE DRAWING
ALL DIMENSIONS
ARE IN INCHES

TOLERANCES
UNLESS OTHERWISE SPECIFIED

ONE DEC. PLACE: +/- 0.1
 TWO DEC. PLACE: +/- 0.03
 THREE DEC PLACE: +/- .005
 ANG: +/- 0.5 DEG

CALIFORNIA
STRAWBERRY
 COMMISSION

805.235.7784
 1B TECHNOLOGY PARK
 1 GRAND AVE
 SAN LUIS OBISPO, CA 93405

TITLE
CROP SHIELD BELT

SIZE	DRAWING NO	REVISION
A		
SCALE	1:12	Drawn by: JACK WELLS
SHEET 8 OF 8		

The Single Barrel Bug Vacuum was designed to increase rates of *Lygus* spp. removal in California strawberry fields in comparison to conventional vacuums. Users should consult with the California Strawberry Commissions Automation Team if alternative components are to be used.