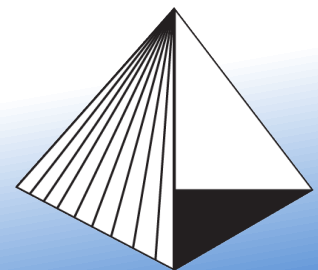
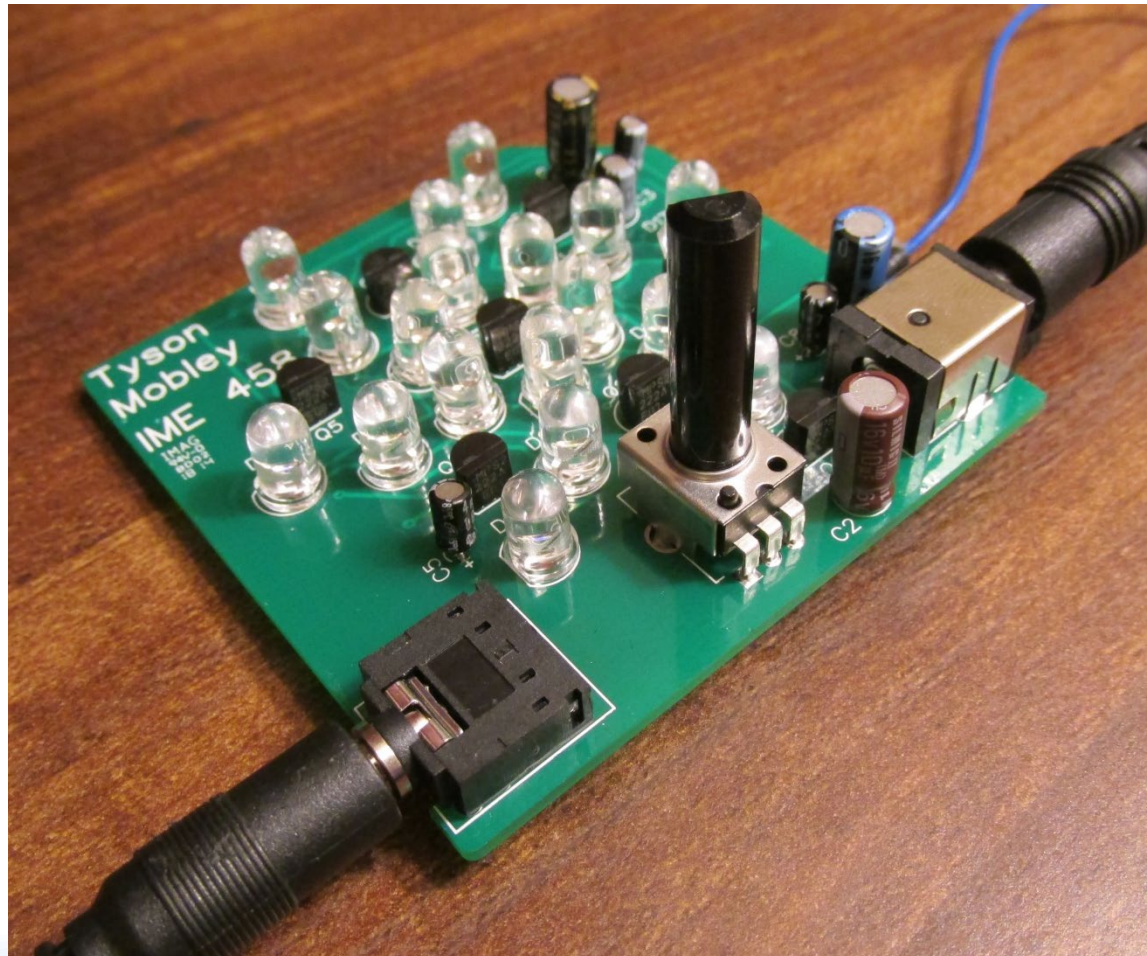


# Redesign of Color Organ PCB: Pulsating to the Sound of Music

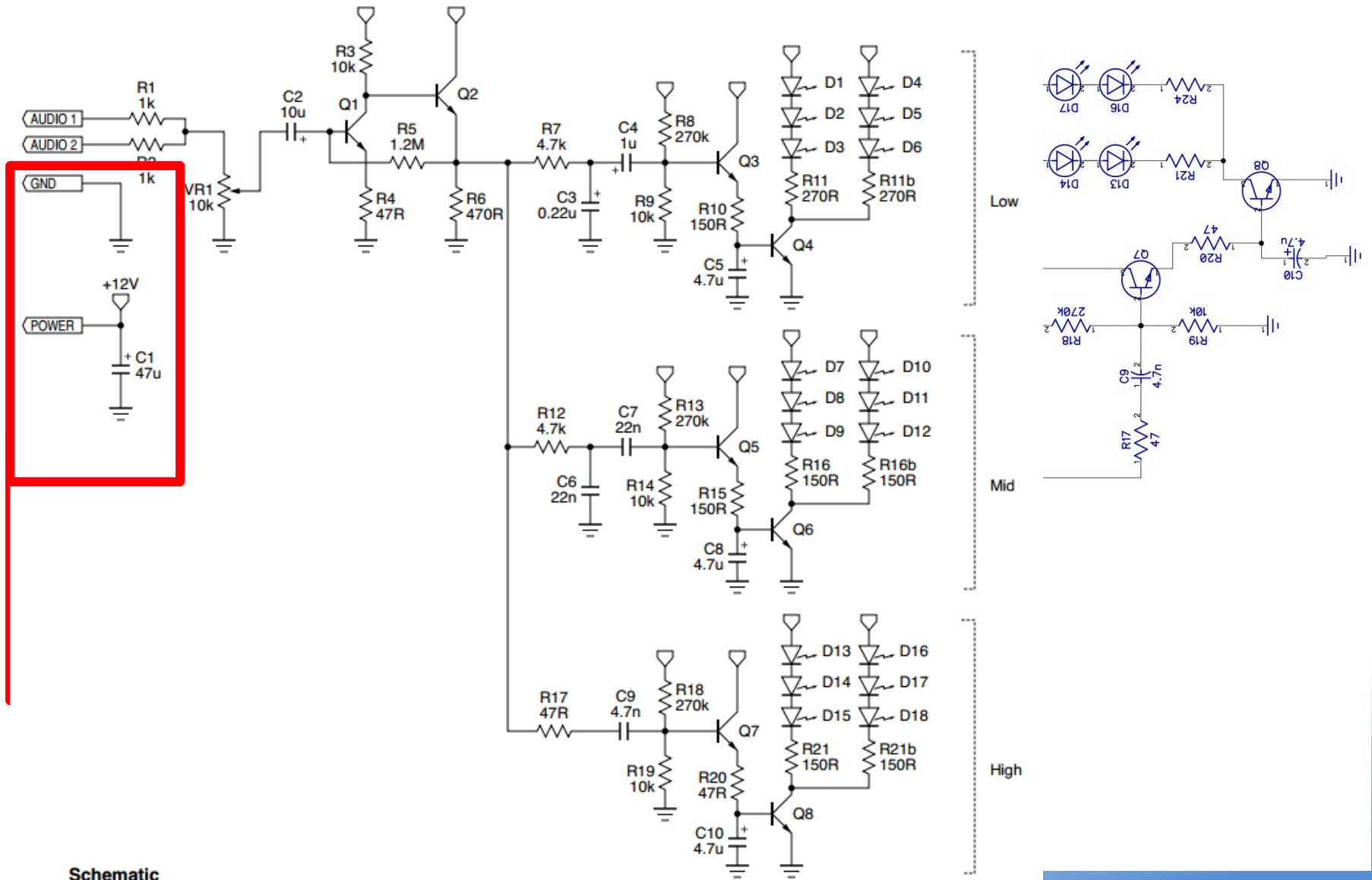
Tyson Mobley

Cal Poly SLO, Materials Engineering Dept.



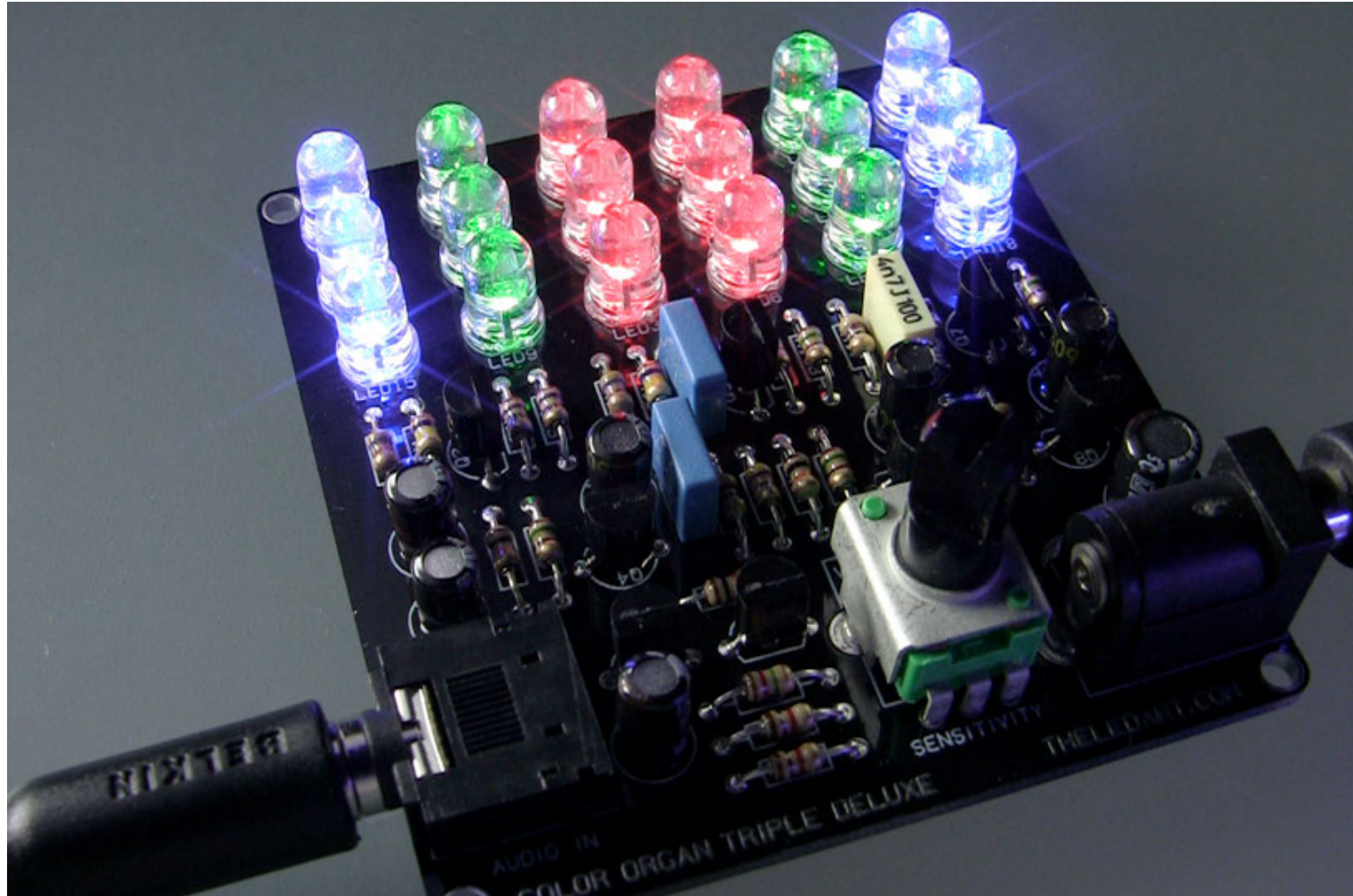
**MATERIALS**  
ENGINEERING  
California Polytechnic State University

# Schematics

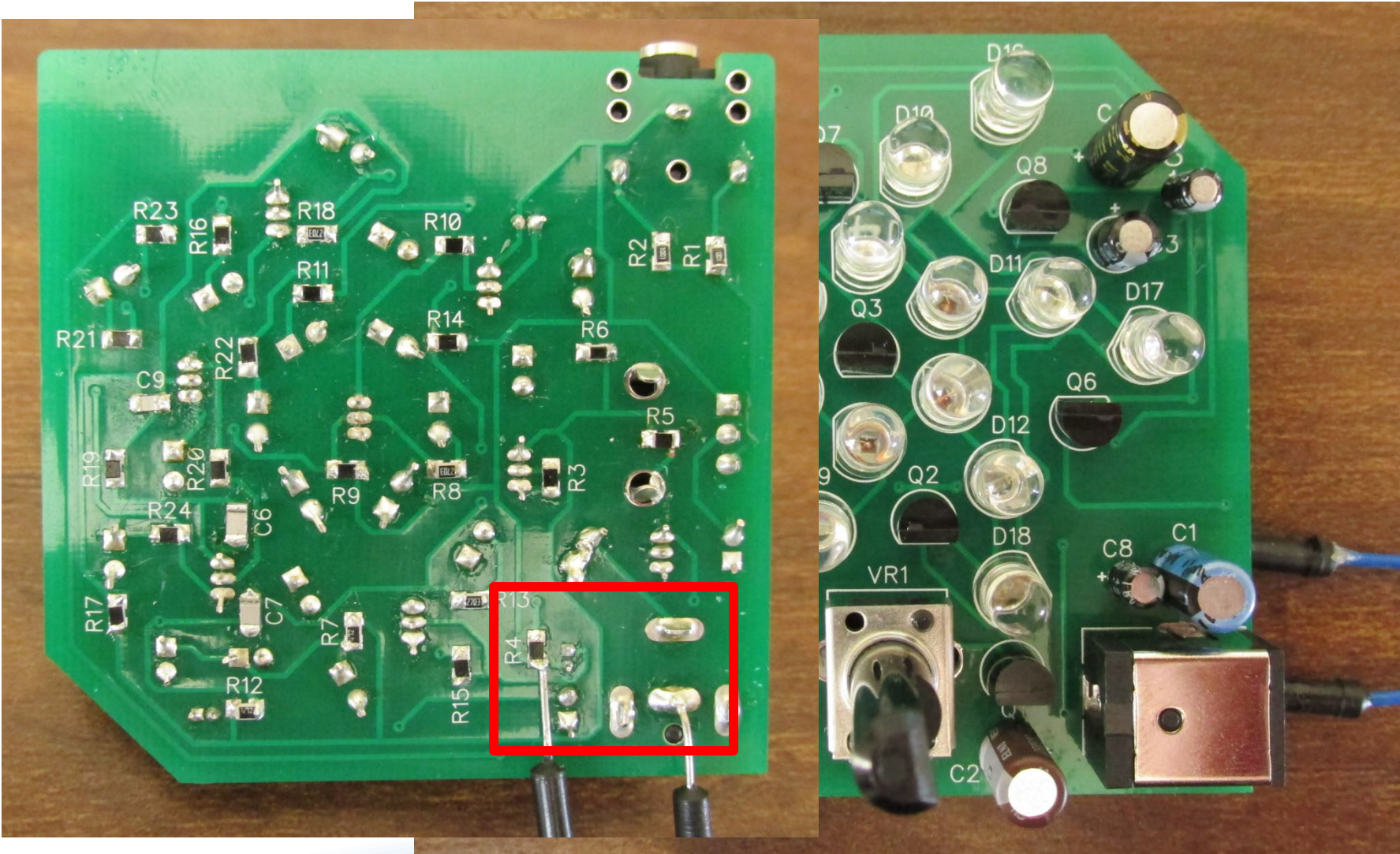


Schematic

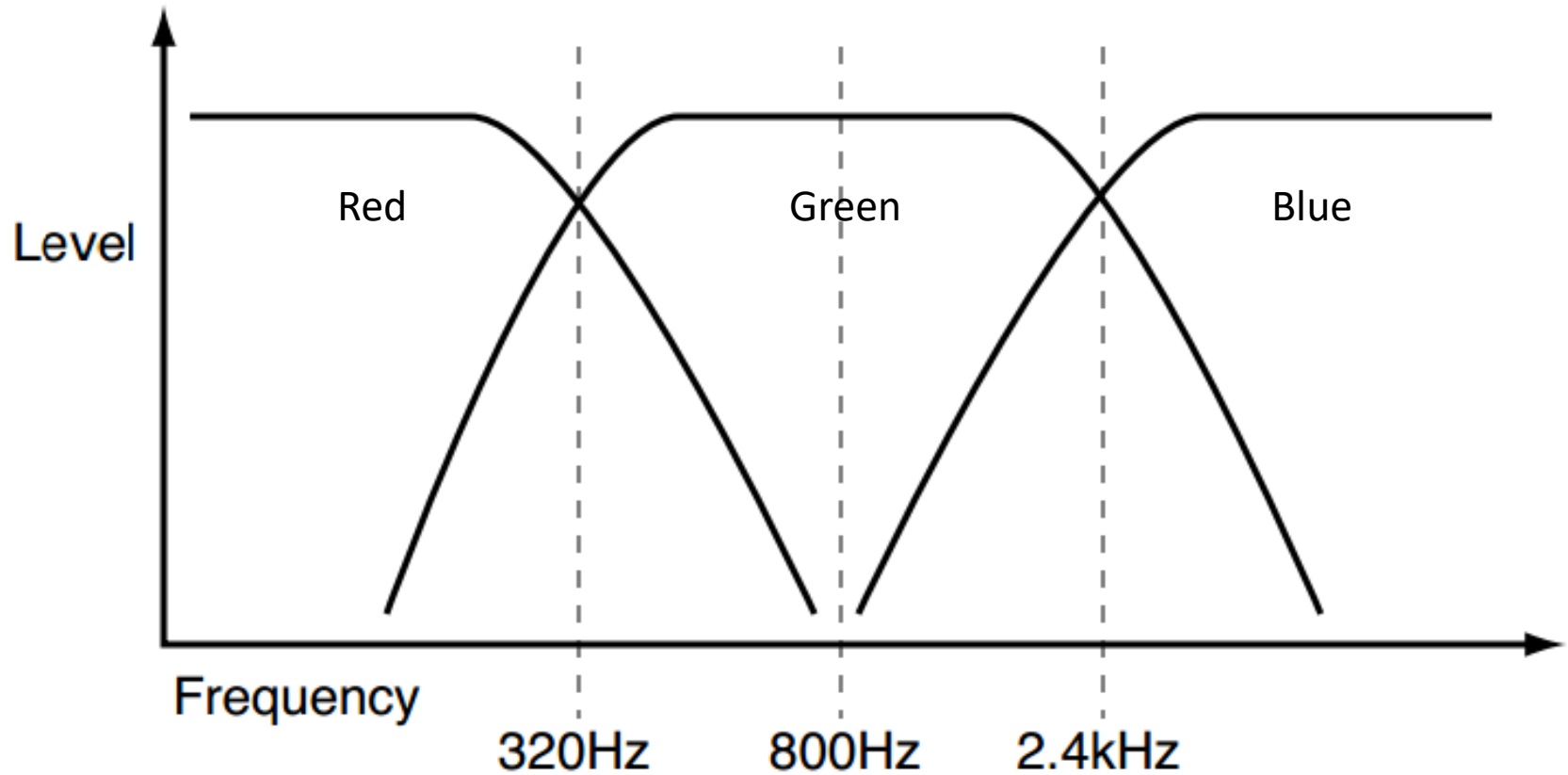
# Original Design



# New Design



# How it works



# Color Organ in Action

