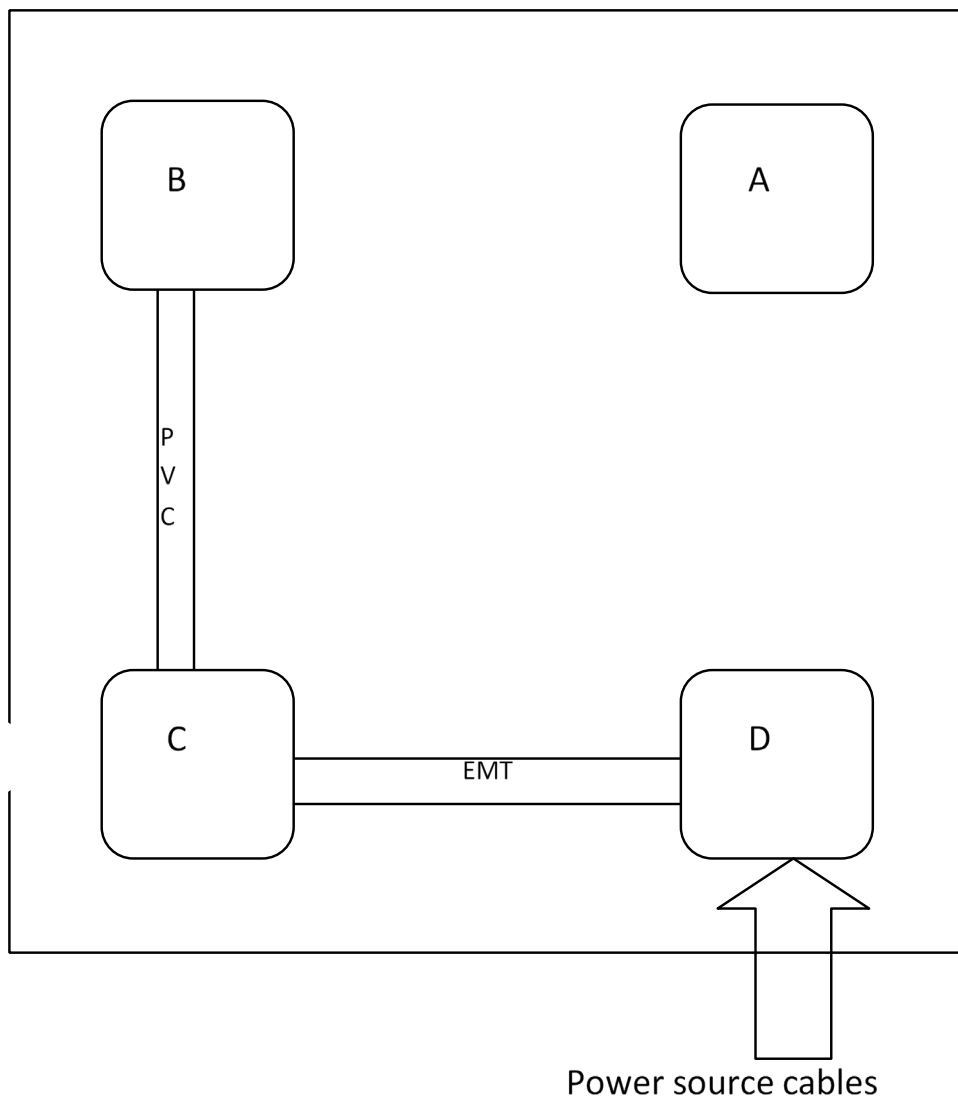


## FFA State Finals: Ag. Mechanics Electrical Skills, 2019

You are required to wire a single circuit, controlled by a single pole circuit breaker (assumed to be **15 amp**) in the sub panel.

Specifications (see graphic below):

1. Wiring is to be done according to the NEC.
2. Include a short power source cable (14-2 w/gnd) to Box D (the breaker panel/sub panel)
3. Local codes require a grounding wiring to be included in all conduit circuits.
4. Box "A" is to include a three-way switch
6. Box "B" is to include a light fixture, which can be controlled by switches in both Box A or C.
7. Box "C" is to include a three-way switch
8. No wires/cables between Box A and Box D



<b>Contestant No.</b>
<b>Name</b>

**FFA Ag. Mechanics State Finals 2019  
Electrical Wiring  
Skills**

<b>Score</b>
--------------

**Score Sheet**

**Points Possible    Points Earned**

**General**

Safety and work habits	<b>5</b>	<input style="width: 100%;" type="text"/>
------------------------	----------	---

**Breaker Box / Sub Panel**

Correct source cable	<b>5</b>	<input style="width: 100%;" type="text"/>
6" free conductor	<b>5</b>	<input style="width: 100%;" type="text"/>
Correct breaker connections	<b>5</b>	<input style="width: 100%;" type="text"/>
Proper neutral & grounding connections	<b>5</b>	<input style="width: 100%;" type="text"/>
No excess copper/pinched insulator	<b>5</b>	<input style="width: 100%;" type="text"/>

**Box A**

6" free conductor	<b>5</b>	<input style="width: 100%;" type="text"/>
Correct switch connections	<b>5</b>	<input style="width: 100%;" type="text"/>
Proper neutral & grounding connections	<b>5</b>	<input style="width: 100%;" type="text"/>
Correct input conductor? (size/type)	<b>5</b>	<input style="width: 100%;" type="text"/>

**Box B**

6" free conductor	<b>5</b>	<input style="width: 100%;" type="text"/>
Correct light fixture connections	<b>5</b>	<input style="width: 100%;" type="text"/>
Proper neutral & grounding connections	<b>5</b>	<input style="width: 100%;" type="text"/>
Correct input conductor? (size/type)	<b>5</b>	<input style="width: 100%;" type="text"/>

**Box C**

6" free conductor	<b>5</b>	<input style="width: 100%;" type="text"/>
Correct switch connections	<b>5</b>	<input style="width: 100%;" type="text"/>
Proper neutral & grounding connections	<b>5</b>	<input style="width: 100%;" type="text"/>
Correct input conductor? (size/type)	<b>5</b>	<input style="width: 100%;" type="text"/>

**Overall**

Snug wire nuts	<b>5</b>	<input style="width: 100%;" type="text"/>
Workmanship, wire color selection, loops, etc	<b>5</b>	<input style="width: 100%;" type="text"/>

<b>Totals</b>	<b>100</b>	<input style="width: 100%; border: 2px solid black;" type="text"/>
---------------	------------	--