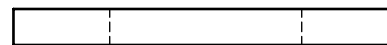
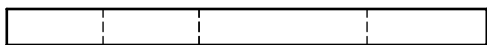
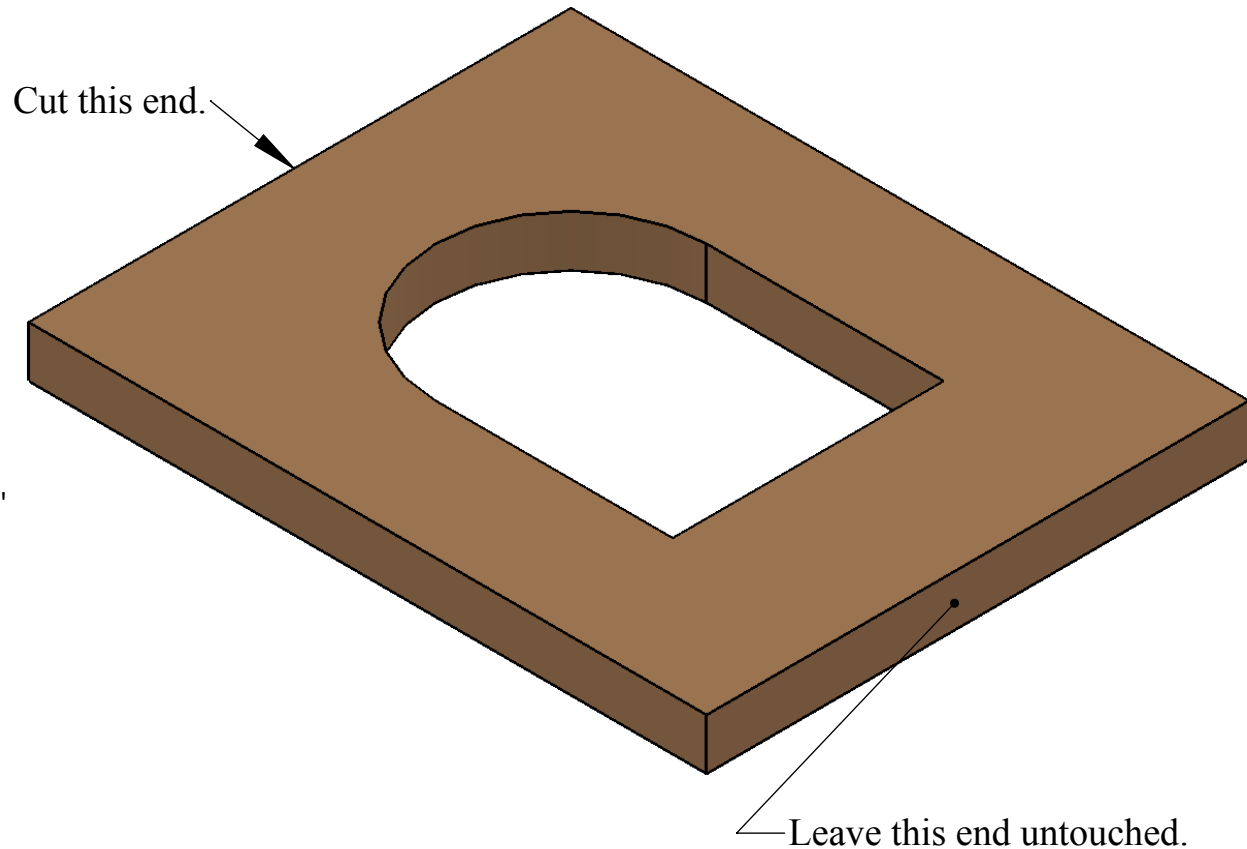
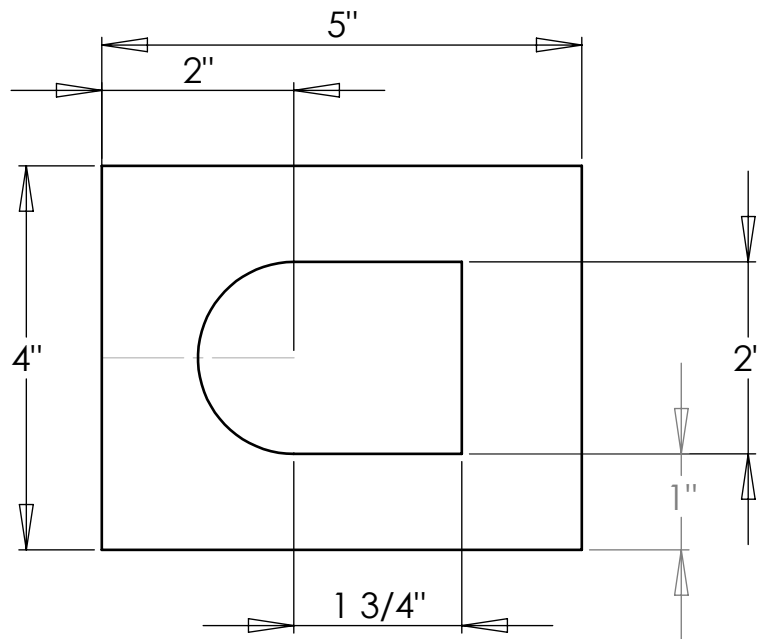


FFA Ag. Mechanics State Finals 2018

Oxy-Fuels Skills: Cutting

Procedure:

You will be issued one piece of $\frac{3}{8}$ " x 4" x 6" Hot Rolled steel. First layout the 5" length and dimensions for the hole, as specified below. Using the oxy-acetylene torch, cut out the hole, and the material to length. When finished, write your contestant number on your project and on the backside of this sheet, and submit both to the judges.



Contestant No.
Name

FFA Ag. Mechanics State Finals 2018

Oxy-Fuel Skills: Cutting

Score Sheet

--

Score

Points Possible Points Earned

Safety and work habits

5

--

Cutting Quality

Excess dross (slag)?

8

--

End cut square to plate edge?

8

--

Straightness of cut?

6

--

Are cuts square to plate surface?

5

--

Hole

Location on plate?

6

--

Parallel to edges?

6

--

Inner dimensions (2")?

6

--

Totals

50

--